

HCSPF-2H

Features:

The breaking of this product is achieved by a separation technology similar to the rocket stage, which can be controlled by triggering a signal. The control action does not depend on the thermal effect of the current, so it can be used at low multiples or even no current. Reliable breaking, breaking time is less than 1ms; When the short-circuit current is large, it can also quickly cut off the circuit, to limit current peaks; In addition, external or built-in control circuitry can be adapted to the actual operating conditions of the system. Set flexible protection policies.

The main application scope of this product is: electric vehicles, charging piles, energy storage systems, large-capacity DC Power supply devices, etc.



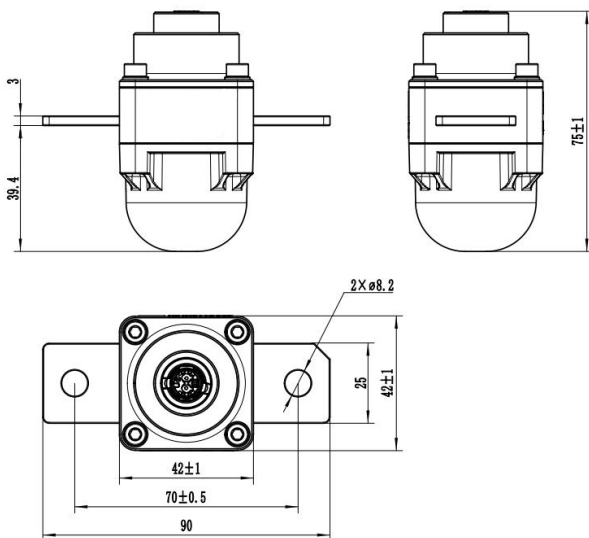
Electric Parameter

◆ Current carrying capacity:	400A@85°C (Load cable 95mm ²)
◆ Breaking capacity:	1000V/15kA/25μH
◆ Resistance (ambient): before breaking.	≤50 μΩ
	After breaking. ≥10MΩ/1000V
◆ Flip-flop resistance:	≥1.8Ω to ≤2.3Ω
◆ Trigger current:	1.75A/0.5ms 1.2A/2ms
◆ Safety current:	≤0.4A
◆ Detecting current:	40mA

Other Parameters

◆ Operating temperature range:	-40°C~125°C
◆ Storage temperature:	-40°C~65°C
◆ Vibration resistance conforms to	AK-LV 124
◆ Mechanical shock resistance conforms to	AK-LV 124
◆ Temperature shock resistance conforms to	AK-LV 124
◆ Chemical resistance is met	AK-LV 124
◆ Weight:	≤220g
◆ Terminal type: busbar	M8
Trigger	ABX-5

Overall dimension(mm)



Experimental waveform (1000V/15kA/25μH)

